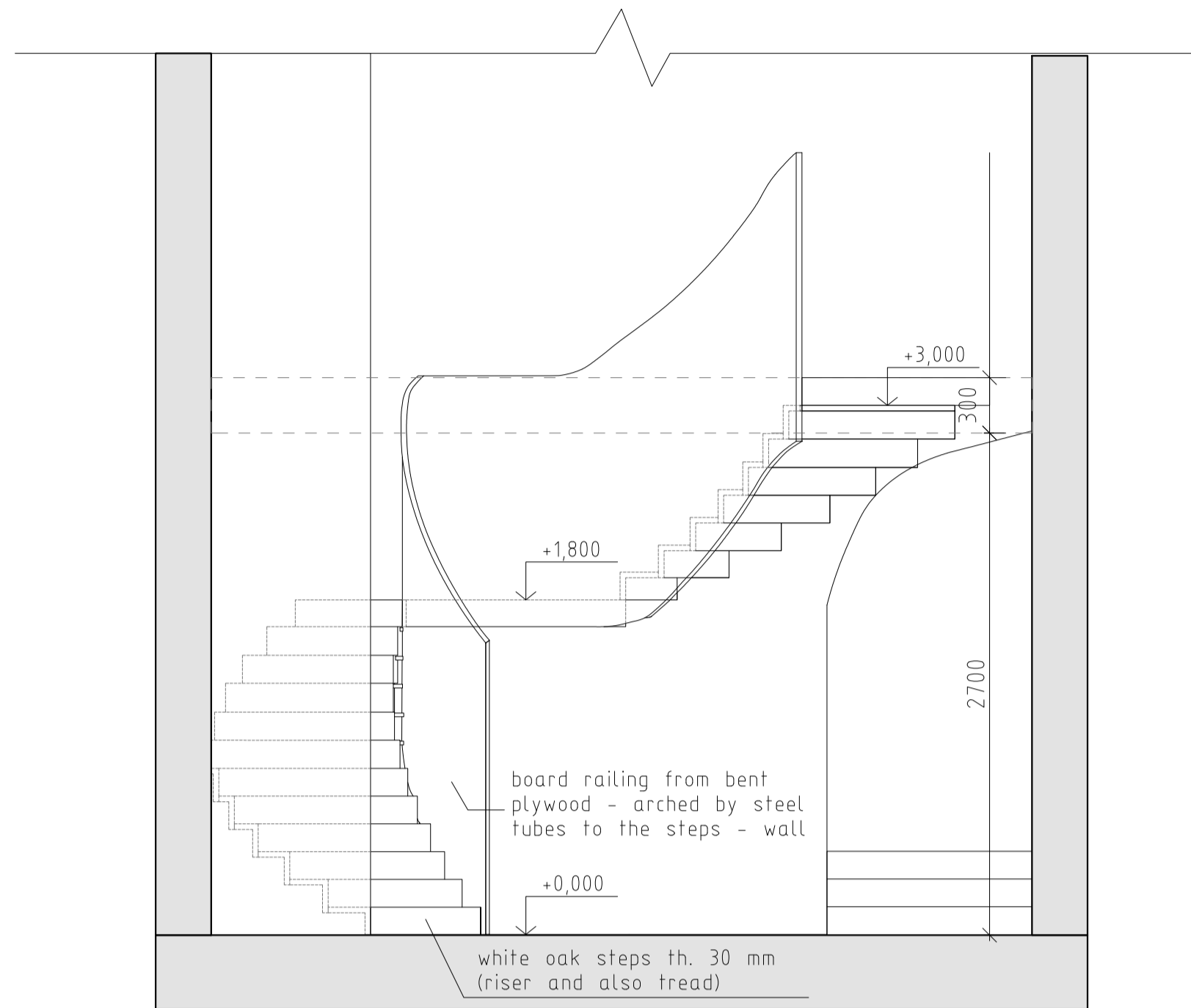
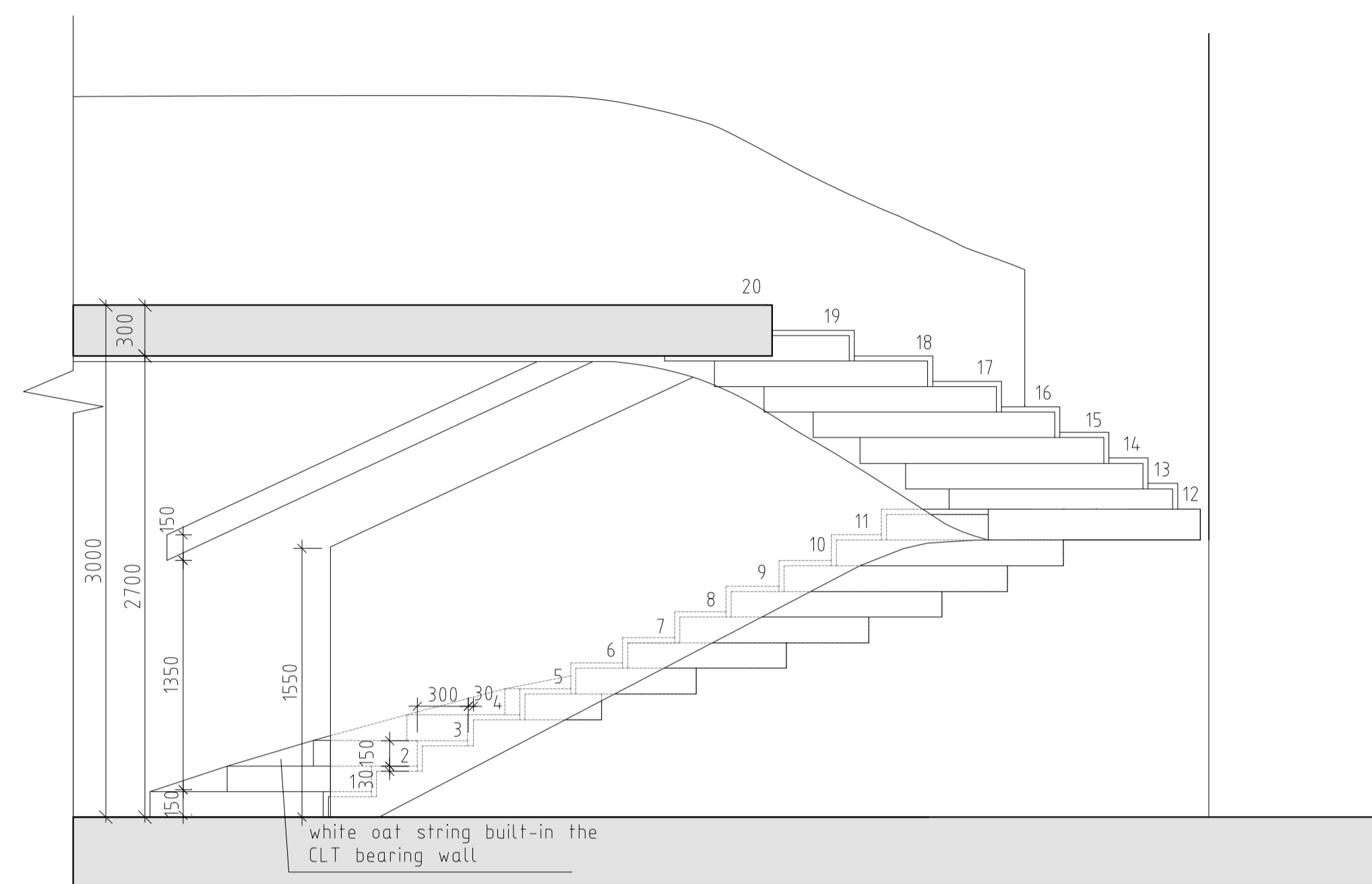


# FIRST FLOOR STAIRCASE

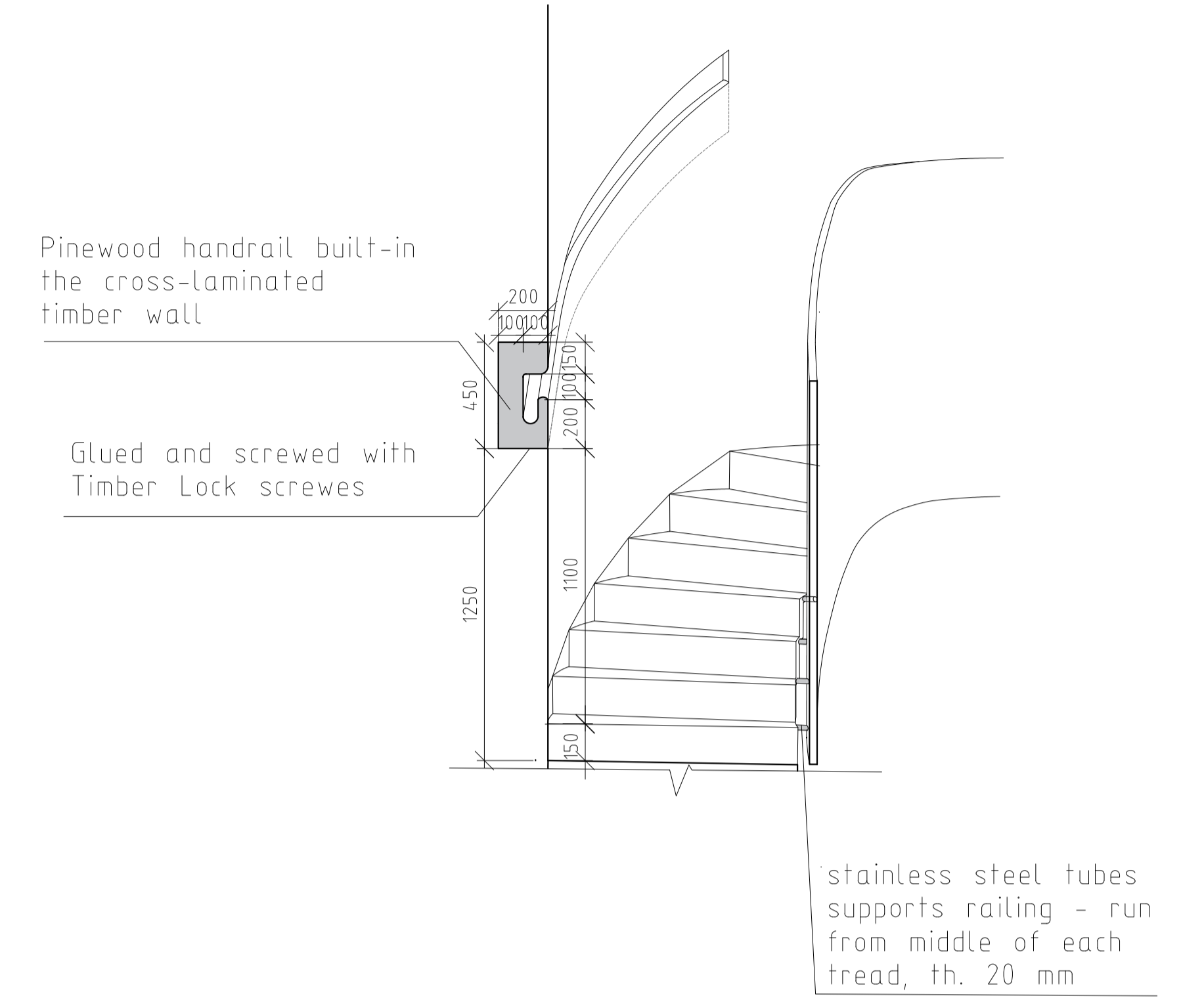
FRONT ELEVATION S 1:30



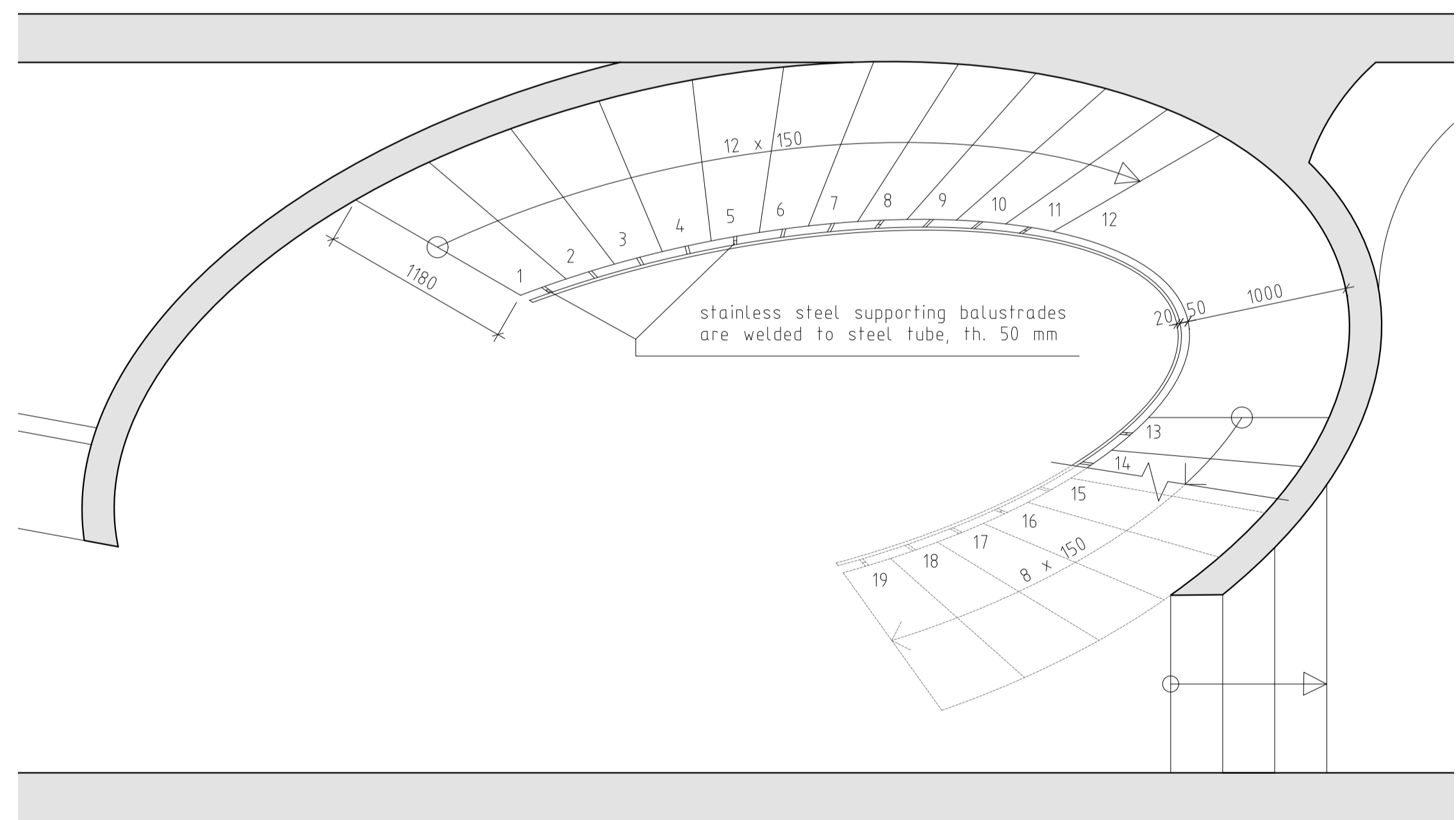
RIGHT SIDE ELEVATION S 1:30



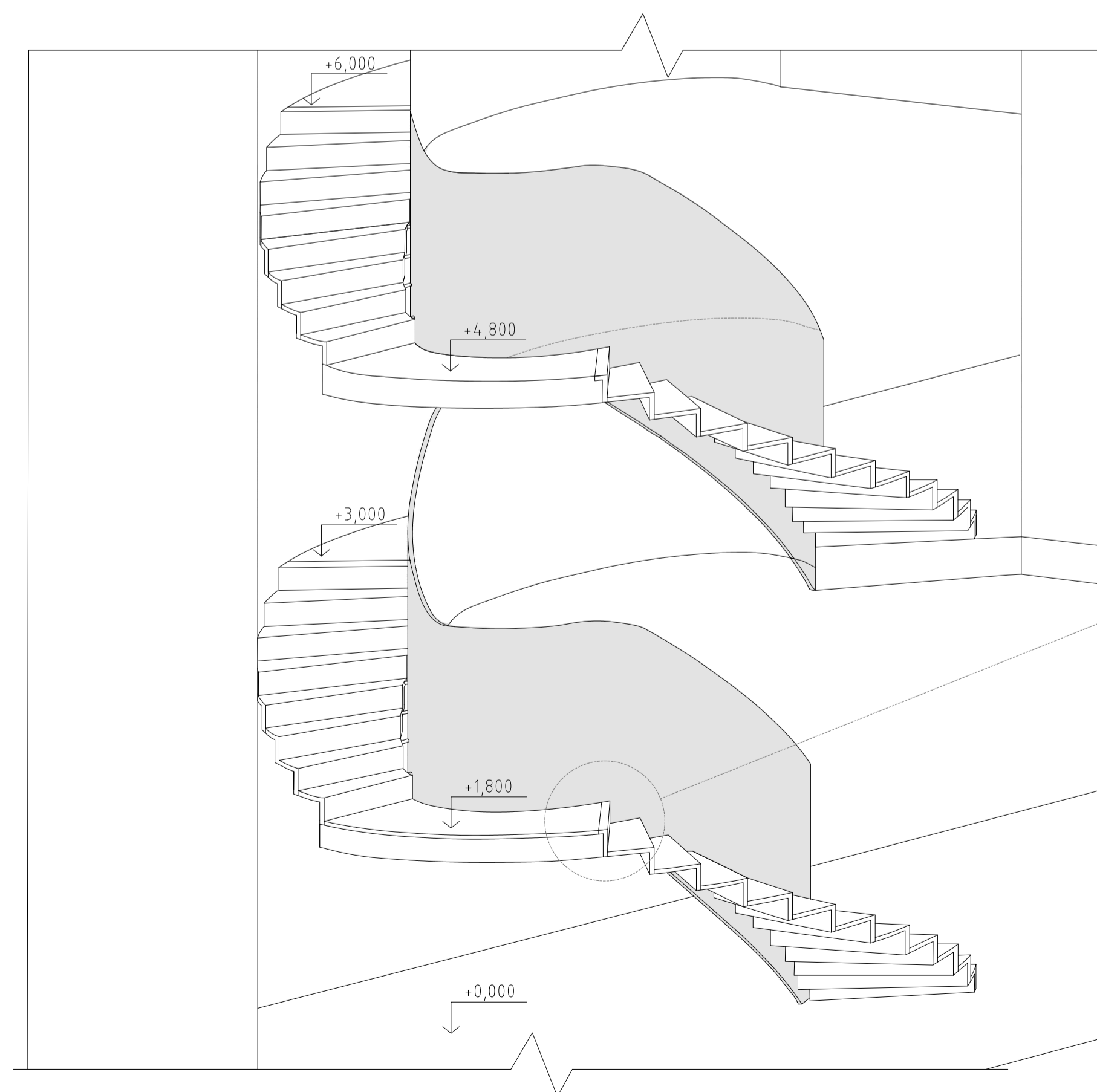
FRONT SECTION SCALE 1:20



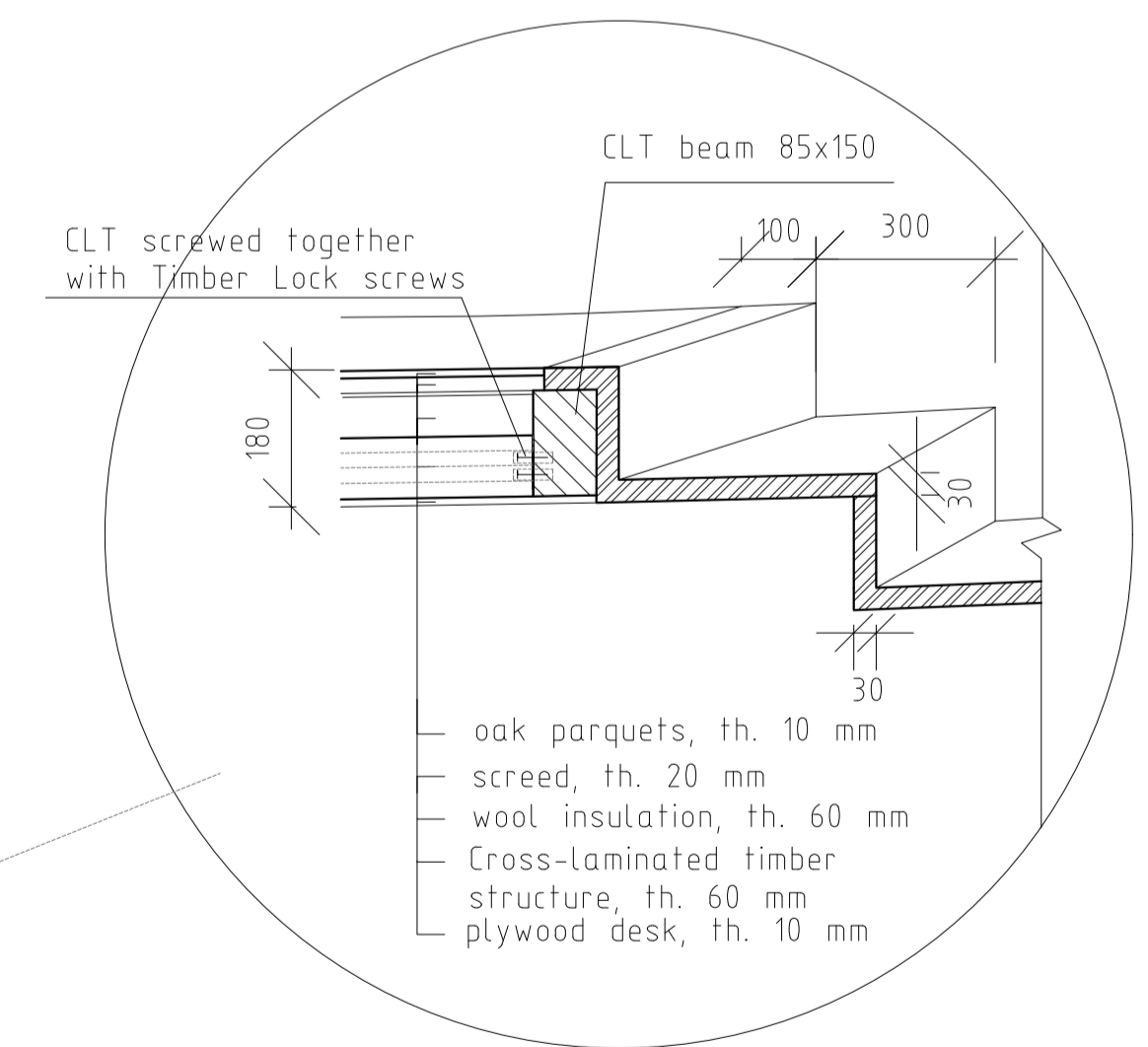
PLAN SCALE 1:30



AXONOMETRIC SCALE 1:30



DETAIL SCALE 1:10



Technical drawings of staircase from the Dwelling project	08/09/2017
Tereza Chronakova	1:30 / A1
Interior and Environmental Design, Level 2	no. 01